

UPHORIA™ 2 LED BR

LED R20, BR30 & BR40 Lamps

USHIO ENERGY STAR certified Uphoria™ 2 LED BR lamps provide energy saving, professional accent lighting with soft, glare-free illumination that's perfect for any surface.

These dimmable R20, BR30 and BR40 LED lamps are designed in the classic shape of incandescent reflector lamps, but offer modern quality solid-state illumination. The Uphoria 2 LED BR lamps are direct replacements for standard incandescent lamps offering significant energy savings and with a 25,000 hour life rating, lasting 10 times longer than the standard incandescent lamp life.

All Uphoria 2 LED BR are 120V Warm White (2700K & 3000K), Wide Flood lamps. They are available in 7W R20, 8.5W & 10W BR30, and 12W & 17W BR40 types.

FEATURES & BENEFITS:

- Energy Saving
- Dimmable
- Wide, Soft Beam that Reduces Glare
- Direct Replacement for Incandescent R and BR Lamps
- Same Form Factor as Incandescent R Lamps
- Long Life: 25,000 Hours
- Aluminum Reflector for Better Reflectivity and Heat Dissipation
- Application Friendly: UV Free & IR Free
- Environmentally Friendly: Mercury Free, Lead Free and RoHS Compliant
- 3-Year Limited Warranty
- Damp Location Rated*

* May only be used in sheltered outdoor areas that are protected from direct contact with rain, snow, or excessive moisture.

Qualifications:



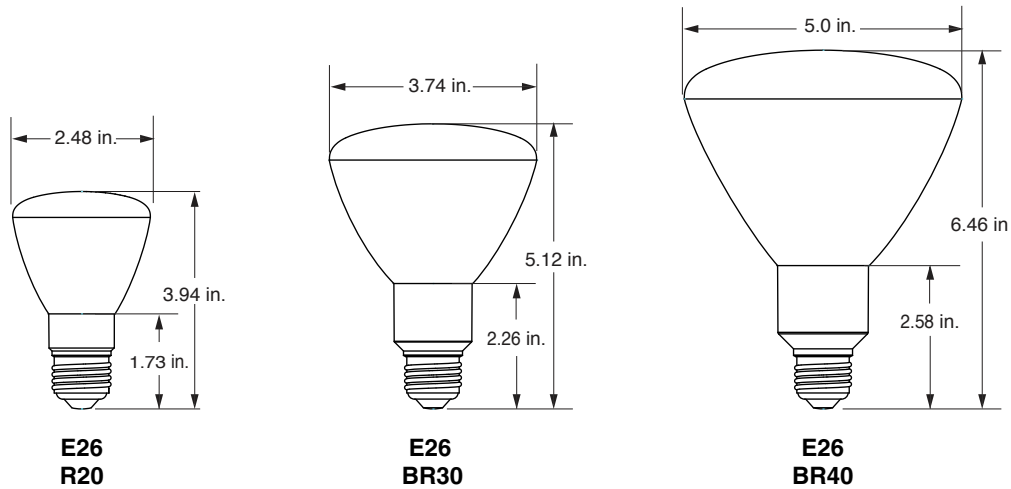
USHIO



APPLICATIONS:

- Recessed Lighting
- Display Lighting
- Accent Lighting
- Art Gallery & Museum Lighting
- Office Lighting
- Hospitality Lighting

UPHORIA™ 2 LED BR



Watts (W)	Ordering Code	Lamp Description	Bulb Type	Volts (V)	Color Temp (K)	Beam Angle	Lumens* (lm)	CBCP* (cd)	CRI	Avg** Life (h)	Case Qty
7	1003992	UPHORIA 2 LED R20, WFL106, WW27	R20	120	2700	106°	525	193	80+	25000	12
7	1003993	UPHORIA 2 LED R20, WFL106, WW30	R20	120	3000	106°	540	198	80+	25000	12
8.5	1003994	UPHORIA 2 LED BR30, WFL106, WW27	BR30	120	2700	106°	650	247	80+	25000	12
8.5	1003995	UPHORIA 2 LED BR30, WFL106, WW30	BR30	120	3000	106°	670	250	80+	25000	12
10	1003996	UPHORIA 2 LED BR30, WFL108, WW27, 90CRI	BR30	120	2700	108°	650	283	90+	25000	12
10	1003997	UPHORIA 2 LED BR30, WFL108, WW27	BR30	120	2700	108°	750	299	80+	25000	12
10	1003998	UPHORIA 2 LED BR30, WFL 108, WW30	BR30	120	3000	108°	770	337	80+	25000	12
12	1003999	UPHORIA 2 LED BR40, WFL103, WW27	BR40	120	2700	103°	900	337	80+	25000	12
12	1004000	UPHORIA 2 LED BR40, WFL103, WW30	BR40	120	3000	103°	930	340	80+	25000	12
17	1004001	UPHORIA 2 LED BR40, WFL103, WW27	BR40	120	2700	103°	1200	455	80+	25000	12
17	1004002	UPHORIA 2 LED BR40, WFL103, WW30	BR40	120	3000	103°	1230	460	80+	25000	12

* Photometric data is based on LM-79 tests.

** Average life based on 70% lumen maintenance. LM-80 data available.

Electrical Specifications:

Driver: High Efficiency

Power Factor: > 0.90

Dimming: See www.ushio.com for dimmer compatibility options.

CAUTION:

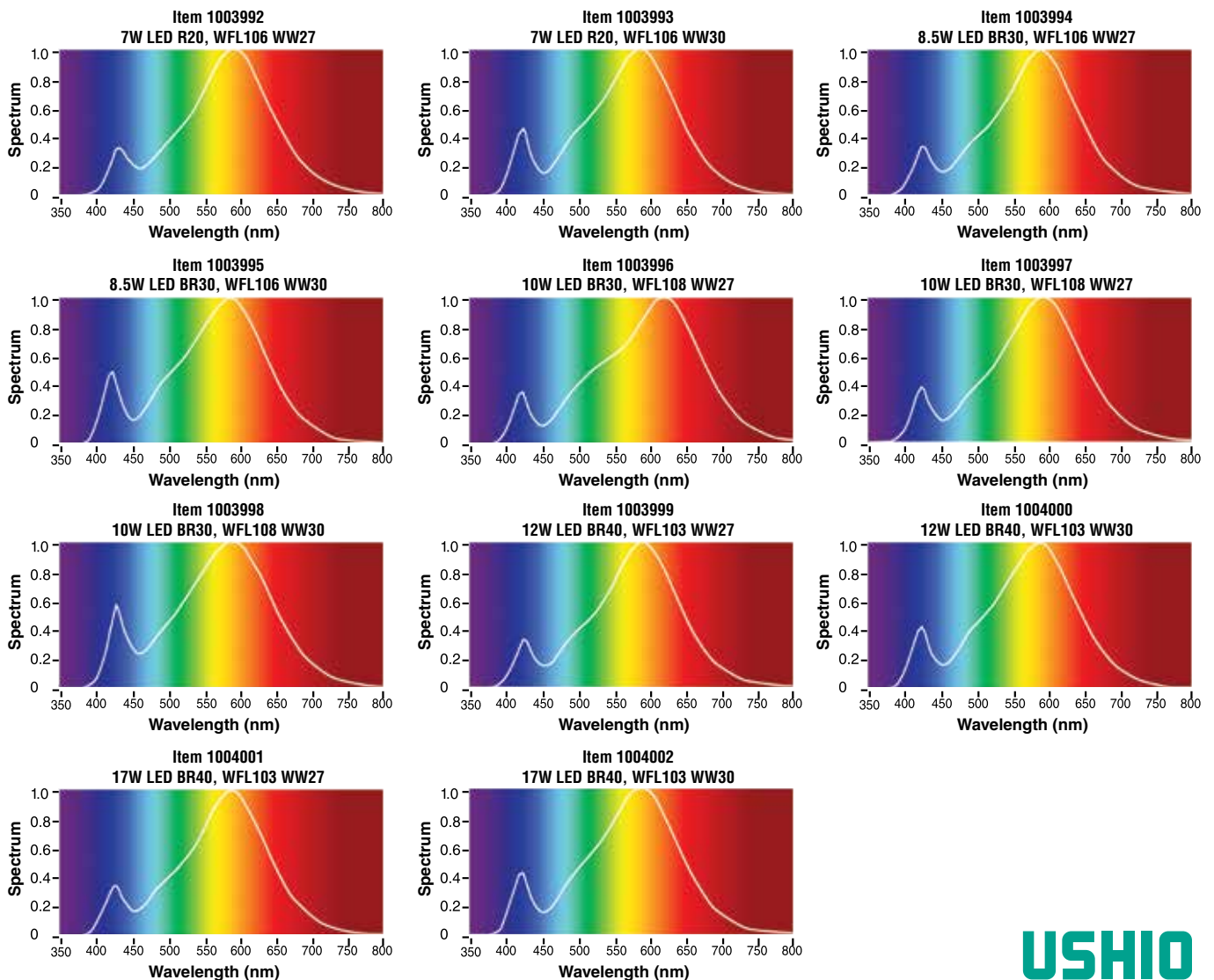
The lamp may not be compatible with all dimmers. Check www.ushio.com to find up to date dimmer compatibility options. Use only 120V 60Hz circuits. Do not open. No user serviceable parts inside. Use is not recommended where exposed to weather, outdoor usage requires an enclosed fixture. The device is not intended for use with emergency exit fixtures, emergency exit lights, photo controls, electric timers. Fully enclosed or recessed fixtures must contain proper ventilation for BR30 and BR40 lamps. Reliable Operating temperature is -4°F to 113°F. This device complies with Part 15 of the FCC Rules. Operation is subject to the following two conditions: (1) this device may not cause harmful interference, and (2) this device must accept any interference received, including interference that may cause undesired operation.

Photometrics

Item 1003992			Item 1003993			Item 1003994			Item 1003995			Item 1003996		
ø(ft)	H(ft)	E(fc)	ø(ft)	H(ft)	E(fc)	ø(ft)	H(ft)	E(fc)	ø(ft)	H(ft)	E(fc)	ø(ft)	H(ft)	E(fc)
9.0	3.3	17.91	9.0	3.3	18.49	8.8	3.3	23.04	8.8	3.3	21.96	8.9	3.3	21.77
17.9	6.6	4.48	17.9	6.6	4.63	17.6	6.6	5.76	17.6	6.6	5.49	17.7	6.6	5.44
26.9	9.8	1.99	26.9	9.8	2.05	26.3	9.8	2.56	26.5	9.8	2.44	26.6	9.8	2.42
35.9	13.1	1.12	35.9	13.1	1.15	35.1	13.1	1.44	35.3	13.1	1.37	35.4	13.1	1.37
44.9	16.4	0.72	44.8	16.4	0.74	43.9	16.4	0.92	44.1	16.4	0.88	44.3	16.4	0.87
107°		7W	107°		7W	108°		8.5W	108°		8.5W	108°		10W
7W LED R20, WFL106 WW27			7W LED R20, WFL106 WW30			8.5W LED BR30, WFL106 WW27			8.5W LED BR30, WFL106 WW30			10W LED BR30, WFL108 WW27		

Item 1003997			Item 1003998			Item 1003999			Item 1004000			Item 1004001			Item 1004002		
ø(ft)	H(ft)	E(fc)	ø(ft)	H(ft)	E(fc)	ø(ft)	H(ft)	E(fc)	ø(ft)	H(ft)	E(fc)	ø(ft)	H(ft)	E(fc)	ø(ft)	H(ft)	E(fc)
9.0	3.3	26.25	9.0	3.3	27.79	8.6	3.3	31.30	8.5	3.3	31.13	8.6	3.3	44.42	8.5	3.3	41.25
17.9	6.6	6.57	18.0	6.6	6.95	17.1	6.6	7.82	17.1	6.6	7.79	17.2	6.6	10.61	16.9	6.6	10.31
26.9	9.8	2.92	26.9	9.8	3.08	25.7	9.8	3.47	25.6	9.8	3.46	25.7	9.8	4.71	25.4	9.8	4.58
35.8	13.1	1.64	35.9	13.1	1.74	34.2	13.1	1.96	34.1	13.1	1.94	34.3	13.1	2.65	33.9	13.1	2.58
44.7	16.4	1.05	44.9	16.4	1.11	42.7	16.4	1.25	42.7	16.4	1.24	42.9	16.4	1.70	42.4	16.4	1.65
108°		10W	108°		10W	103°		12W	103°		12W	103°		17W	103°		17W
10W LED BR30, WFL108 WW27			10W LED BR30, WFL108 WW30			12W LED BR40, WFL103 WW27			12W LED BR40, WFL103 WW30			17W LED BR40, WFL103 WW27			17W LED BR40, WFL103 WW30		

Spectral Distribution Charts



Lighting Facts

Item# 1003992
7W LED R20, WFL106 WW27

Lighting Facts/ Faits d'éclairage	
Per Bulb/Par l'ampoule	
Brightness/Luminosité	525 lumens
Estimated Yearly Energy Cost/ Coût énergétique annual estimé	\$0.84
Based on 3 hrs/day, 11¢/kWh. Cost depends on rates and use. /Basé sur 3 heures/jour, 11¢/kWh. Les coûts dépendent du tarif et de la fréquence d'utilisation.	
Life/Vie	23 years/ans Based on 3 hrs/day. /Basé sur 3 heures/jour.
Light Appearance/Apparence de l'éclairage	Warm/Chaud Cool/Froid 2700K
Energy Used/Énergie utilisée	7 watts

Item# 1003993
7W LED R20, WFL106 WW30

Lighting Facts/ Faits d'éclairage	
Per Bulb/Par l'ampoule	
Brightness/Luminosité	525 lumens
Estimated Yearly Energy Cost/ Coût énergétique annual estimé	\$0.84
Based on 3 hrs/day, 11¢/kWh. Cost depends on rates and use. /Basé sur 3 heures/jour, 11¢/kWh. Les coûts dépendent du tarif et de la fréquence d'utilisation.	
Life/Vie	23 years/ans Based on 3 hrs/day. /Basé sur 3 heures/jour.
Light Appearance/Apparence de l'éclairage	Warm/Chaud Cool/Froid 3000K
Energy Used/Énergie utilisée	7 watts

Item# 1003994
8.5W LED BR30, WFL106 WW27

Lighting Facts/ Faits d'éclairage	
Per Bulb/Par l'ampoule	
Brightness/Luminosité	650 lumens
Estimated Yearly Energy Cost/ Coût énergétique annual estimé	\$1.02
Based on 3 hrs/day, 11¢/kWh. Cost depends on rates and use. /Basé sur 3 heures/jour, 11¢/kWh. Les coûts dépendent du tarif et de la fréquence d'utilisation.	
Life/Vie	23 years/ans Based on 3 hrs/day. /Basé sur 3 heures/jour.
Light Appearance/Apparence de l'éclairage	Warm/Chaud Cool/Froid 2700K
Energy Used/Énergie utilisée	8.5 watts

Item# 1003995
8.5W LED BR30, WFL106 WW30

Lighting Facts/ Faits d'éclairage	
Per Bulb/Par l'ampoule	
Brightness/Luminosité	670 lumens
Estimated Yearly Energy Cost/ Coût énergétique annual estimé	\$1.02
Based on 3 hrs/day, 11¢/kWh. Cost depends on rates and use. /Basé sur 3 heures/jour, 11¢/kWh. Les coûts dépendent du tarif et de la fréquence d'utilisation.	
Life/Vie	23 years/ans Based on 3 hrs/day. /Basé sur 3 heures/jour.
Light Appearance/Apparence de l'éclairage	Warm/Chaud Cool/Froid 3000K
Energy Used/Énergie utilisée	8.5 watts

Item# 1003996
10W LED BR30, WFL108 WW27 90CRI

Lighting Facts/ Faits d'éclairage	
Per Bulb/Par l'ampoule	
Brightness/Luminosité	670 lumens
Estimated Yearly Energy Cost/ Coût énergétique annual estimé	\$1.20
Based on 3 hrs/day, 11¢/kWh. Cost depends on rates and use. /Basé sur 3 heures/jour, 11¢/kWh. Les coûts dépendent du tarif et de la fréquence d'utilisation.	
Life/Vie	23 years/ans Based on 3 hrs/day. /Basé sur 3 heures/jour.
Light Appearance/Apparence de l'éclairage	Warm/Chaud Cool/Froid 2700K
Energy Used/Énergie utilisée	10 watts

Item# 1003997
10W LED BR30, WFL108 WW27

Lighting Facts/ Faits d'éclairage	
Per Bulb/Par l'ampoule	
Brightness/Luminosité	750 lumens
Estimated Yearly Energy Cost/ Coût énergétique annual estimé	\$1.20
Based on 3 hrs/day, 11¢/kWh. Cost depends on rates and use. /Basé sur 3 heures/jour, 11¢/kWh. Les coûts dépendent du tarif et de la fréquence d'utilisation.	
Life/Vie	23 years/ans Based on 3 hrs/day. /Basé sur 3 heures/jour.
Light Appearance/Apparence de l'éclairage	Warm/Chaud Cool/Froid 2700K
Energy Used/Énergie utilisée	10 watts

Item# 1003998
10W LED BR30, WFL108 WW30

Lighting Facts/ Faits d'éclairage	
Per Bulb/Par l'ampoule	
Brightness/Luminosité	800 lumens
Estimated Yearly Energy Cost/ Coût énergétique annual estimé	\$1.20
Based on 3 hrs/day, 11¢/kWh. Cost depends on rates and use. /Basé sur 3 heures/jour, 11¢/kWh. Les coûts dépendent du tarif et de la fréquence d'utilisation.	
Life/Vie	23 years/ans Based on 3 hrs/day. /Basé sur 3 heures/jour.
Light Appearance/Apparence de l'éclairage	Warm/Chaud Cool/Froid 3000K
Energy Used/Énergie utilisée	10 watts

Item# 1003999
12W LED BR40, WFL103 WW27

Lighting Facts/ Faits d'éclairage	
Per Bulb/Par l'ampoule	
Brightness/Luminosité	900 lumens
Estimated Yearly Energy Cost/ Coût énergétique annual estimé	\$1.45
Based on 3 hrs/day, 11¢/kWh. Cost depends on rates and use. /Basé sur 3 heures/jour, 11¢/kWh. Les coûts dépendent du tarif et de la fréquence d'utilisation.	
Life/Vie	23 years/ans Based on 3 hrs/day. /Basé sur 3 heures/jour.
Light Appearance/Apparence de l'éclairage	Warm/Chaud Cool/Froid 2700K
Energy Used/Énergie utilisée	12 watts

Item# 1004000
12W LED BR40, WFL103 WW30

Lighting Facts/ Faits d'éclairage	
Per Bulb/Par l'ampoule	
Brightness/Luminosité	930 lumens
Estimated Yearly Energy Cost/ Coût énergétique annual estimé	\$1.45
Based on 3 hrs/day, 11¢/kWh. Cost depends on rates and use. /Basé sur 3 heures/jour, 11¢/kWh. Les coûts dépendent du tarif et de la fréquence d'utilisation.	
Life/Vie	23 years/ans Based on 3 hrs/day. /Basé sur 3 heures/jour.
Light Appearance/Apparence de l'éclairage	Warm/Chaud Cool/Froid 3000K
Energy Used/Énergie utilisée	12 watts

Item# 1004001
17W LED BR40, WFL103 WW27

Lighting Facts/ Faits d'éclairage	
Per Bulb/Par l'ampoule	
Brightness/Luminosité	1200 lumens
Estimated Yearly Energy Cost/ Coût énergétique annual estimé	\$2.05
Based on 3 hrs/day, 11¢/kWh. Cost depends on rates and use. /Basé sur 3 heures/jour, 11¢/kWh. Les coûts dépendent du tarif et de la fréquence d'utilisation.	
Life/Vie	23 years/ans Based on 3 hrs/day. /Basé sur 3 heures/jour.
Light Appearance/Apparence de l'éclairage	Warm/Chaud Cool/Froid 2700K
Energy Used/Énergie utilisée	17 watts

Item# 1004002
17W LED BR40, WFL103 WW30

Lighting Facts/ Faits d'éclairage	
Per Bulb/Par l'ampoule	
Brightness/Luminosité	1200 lumens
Estimated Yearly Energy Cost/ Coût énergétique annual estimé	\$2.05
Based on 3 hrs/day, 11¢/kWh. Cost depends on rates and use. /Basé sur 3 heures/jour, 11¢/kWh. Les coûts dépendent du tarif et de la fréquence d'utilisation.	
Life/Vie	23 years/ans Based on 3 hrs/day. /Basé sur 3 heures/jour.
Light Appearance/Apparence de l'éclairage	Warm/Chaud Cool/Froid 3000K
Energy Used/Énergie utilisée	17 watts